



Description

For years the MS series of epoxy body probes have been known as the most extensive conductivity probes on the market. The new AS series represent a major upgrade.

The AS conductivity probes feature a choice of 316 stainless steel or graphite electrodes and Noryl shells that will satisfy just about any industrial, power plant or laboratory application. This technology, insures that, with reasonable maintenance, years of drift-free performance can be expected.

Five cell constants from 0.01 to 10 are available to cover any water sample between pure water and saline conditions. All types are designed with a safety stop shoulder on the cell.

Integral automatic temperature compensation is standard on all types and provides compensation to 25°C when used with a compatible analyzer. Users can choose between a 1000 Ω RTD or 3 kΩ thermistor. Either element is placed to give close thermal contact with the liquid being measured to assure fast response to changing temperature.

Flow-through mounting incorporates a special compression fitting which allows adjustable insertion length in 3/4 inch NPT piping or in the side of a tank. This design avoids the nuisance of disconnecting the cell cable when installing or removing the cell for cleaning.

Submersion mounting is achieved by reversing the direction of the compression fitting, allowing the cell to be threaded into the MHMSC mounting hardware. Mounting hardware is available which includes a 2 foot length of CPVC pipe and a simple but versatile adjustable bracket for hanging on the rim of the tank.

Ball Valve (“Hot-Tap”) types permit removal of the cell from process piping or from tanks without shutting down the system. They are available in CPVC.

Features

- Economically Priced
- 316 SS or Graphite Electrodes
- Automatic Temperature Compensation
- Adjustable Insertion Length
- MS-HTC Ball Valve “Hot Tap” Hardware Available
- Cell Constants 0.01, 0.1, 1, 10 and 50.
- Choice of 3 kΩ thermistor or 1000 Ω RTD for automatic temperature compensation.

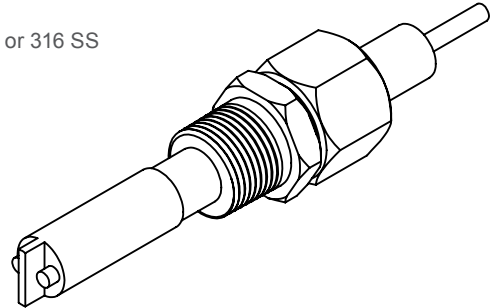
Applications

- Cooling towers
- High purity water applications
- Pharmaceutical Applications
- Reverse osmosis systems
- Food and Beverage

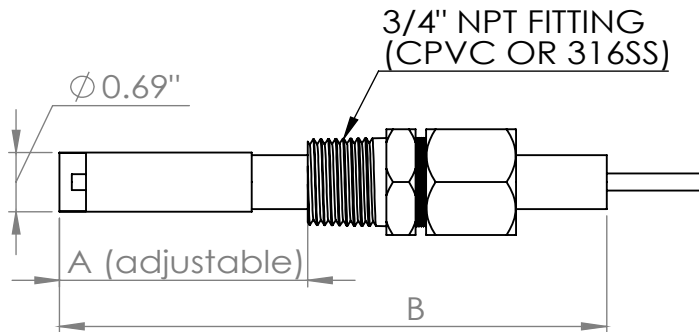
Model AS Conductivity Cells

Technical Data

Cell Constants	0.01	0.1	1.0	10	50
Measuring Range (Depends on controller)	0-2 uS/cm	10-200 uS/cm	100-5000 uS/cm	1-20 mS/cm	5-200 mS/cm
Electrodes	316 SS (ASM) or impregnated graphite (ASG)				
Other Wetted Materials	Noryl, Epoxy and EPDM. Compression fitting: CPVC or 316 SS				
Thread size	3/4" MNPT				
Temperature Compensation*	Automatic, 0 to 105°C				
Cable	4 conductor, 20 ft. (6.1 m) long				
Insertion Length	Variable. See figure below.				
Safety Feature	Shoulder on cells provides an integral safety stop.				
Temperature and Pressure	Max pres. (psi)	Max temp. (°C)			
	50	60			
	100	50			
	150	20			



Dimensions



Cell Constant	A min	A max	B	B (for Hot Tap) 3/4" NPT fitting is not included
0.01	1.75" (45mm)	5.95" (151mm)	7.25" (184mm)	11.9" (302mm)
0.1	0.3" (7mm)	3.5" (89mm)	5.8" (147mm)	10.45" (265mm)
1	0.3" (7mm)	3.5" (89mm)	5.8" (147mm)	10.45" (265mm)
10	1.65" (42mm)	6.05" (154mm)	7.35" (187mm)	12" (305mm)
50	1.65" (42mm)	6.05" (154mm)	7.35" (187mm)	12" (305mm)

Related Products

MHMSC, 24 inch (610 mm) long 1" CPVC pipe w/ cable clamp

MS-HTC, 3/4" socket-weld CPVC ball valve assembly

AM3422, AM3444 and AM3455 316 SS body conductivity sensors

Ordering Information

Electrode Material		Cell Constant Selection		Temperature Compensation Device		Type Selection	
Description	Code	Constant	Code	Description	Code	Description	Code
316 SS	M	0.01	001	PT1000 RTD	1	Cell with CPVC fitting	P
Graphite	G	0.1	01	3k Ω NTC	2	Cell with 316 SS fitting	S
		1.0	1			Cell for Ball Valve Assembly	HT
		10	10				
		50	50				