



Description

The AM-series sensors offer a compact design that allows installation into standard pipe fittings in small line sizes such as 3/4" and 1", avoiding the need for special flow cells.

Simplicity of the design also allows them to be economically offered in exotic metals for especially corrosive chemical applications.

Wetted materials of construction are 316 stainless steel and Teflon, with double o-ring seals at all points. The outer EPDM o-ring bears the brunt of process interface, allowing the back o-ring to maintain reliable sealing free from chemical attack. An integral temperature element tailored to the analyzer of choice allows automatic compensation for maximum accuracy. Leads are 15' standard, stripped and tinned ends.

Process connections are made via a 1/2" NPT (AM12) or 3/4" NPT (AM34) threads. This fitting can be screwed into a line, or tank, and it can also be turned around and connected to a standpipe for use in a submersion configuration. The AM-series is good for general purpose and covers a broader range of conductivities.

The AMB34 sensor was designed for high pressure, high temperature conductivity measurements, and is an ideal choice for boiler control applications. Blowdown control, condensate monitoring, leak detection on heat exchangers, and steam purity measurements are just a few of the many applications in which this rugged and reliable sensor can be used.

Features

- Small size enables convenient installation and service
- O-ring seals used on all versions for high on-stream reliability
- Low Maintenance - Reduced cleaning requirements
- Wide Measuring range
- Automatic Temperature Compensation
- AMB34 measures conductivity directly in process temperature up to 205°C

Applications

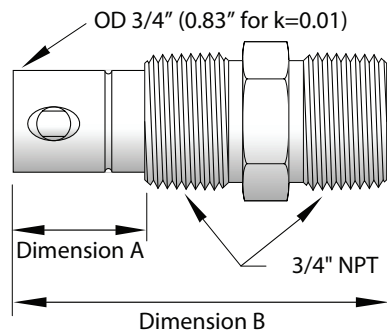
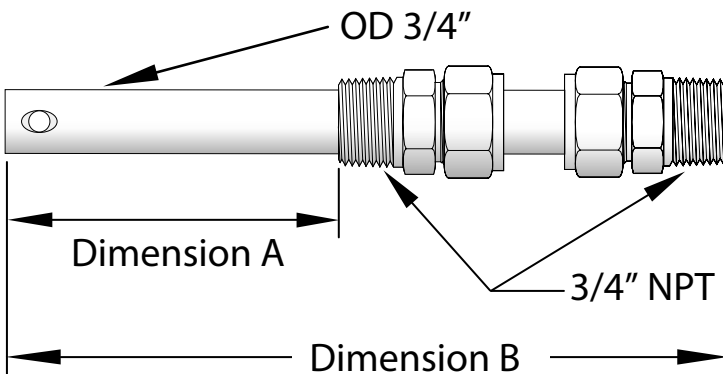
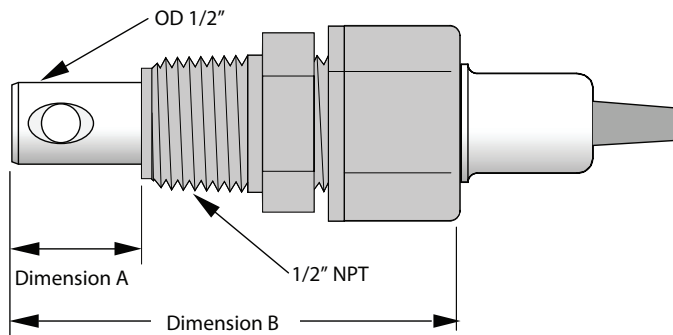
- Plating
- High purity water applications
- Pharmaceutical Applications
- Reverse Osmosis systems
- Fume Scrubbers
- Cooling Towers
- Textile Manufacturing
- Food and Beverage

AM-Series Conductivity Sensor

Technical Data

Wetted Materials	Teflon™ (AM12) or PEEK® (AM34 and AMB34), EPDM, 316 Stainless Steel, Kynar® (optional)
Maximum Pressure / Temperature	
AM12	316 SS fitting: 200 PSI at 120°C, 500 PSIG at 100°C , Kynar® fitting: 150 PSIG at 120°C.
AM34	316SS fitting: 100 PSIG at 150°C, Kynar® fitting: not rated
AM34B	250 PSIG at 205°C, 500PSIG at 100°C
Hot Tap	50 PSIG at all temperatures, no exceptions
Cell Constants	AM12: 0.1/1/10 ; AM34: 0.01/0.1/1/10/50 ; AMB34: 0.01/0.1/1
Process Fitting	AM12: 1/2" NPT; AM34: 3/4" NPT, AM34B: 3/4" NPT
Temperature Compensation	Standard Pt1000rtd, other thermistor available as a special order

Dimensions



AM12

Cell Constant	A max	B	B (Hot Tap)
0.01	3.5"	5.25"	18.0"
0.1 / 1	3.5"	5.25"	16.5"
10	7"	8.5"	16.5"

AM34

	A max	B	B (Hot Tap)
All cell constants	5"	8"	16.5"

AMB34

Cell constant	A	B
0.01	2.75"	4.75"
0.1	0"	2"
1	1"	3"

Related Products

AM-2250 Controller

AM-2250TX Transmitter